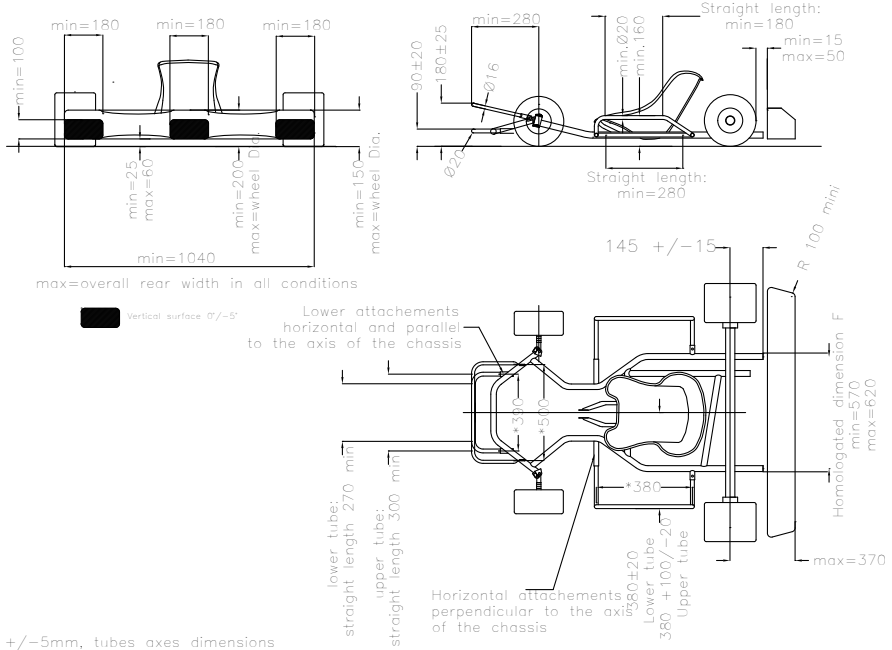


DESSIN TECHNIQUE N°24a

TECHNICAL DRAWING No. 24a

Pare-chocs (Mini)

Bumpers (Mini)



* +/-5mm, tubes axes dimensions